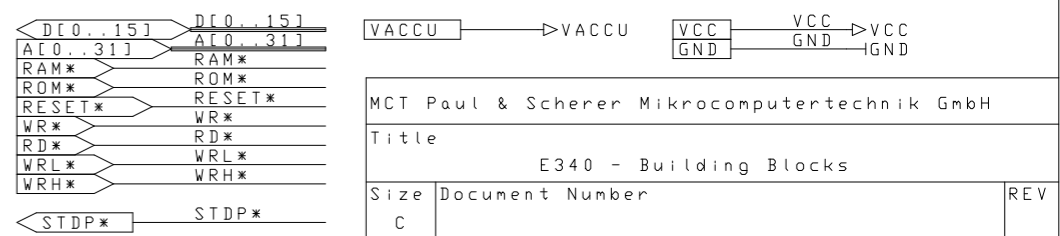
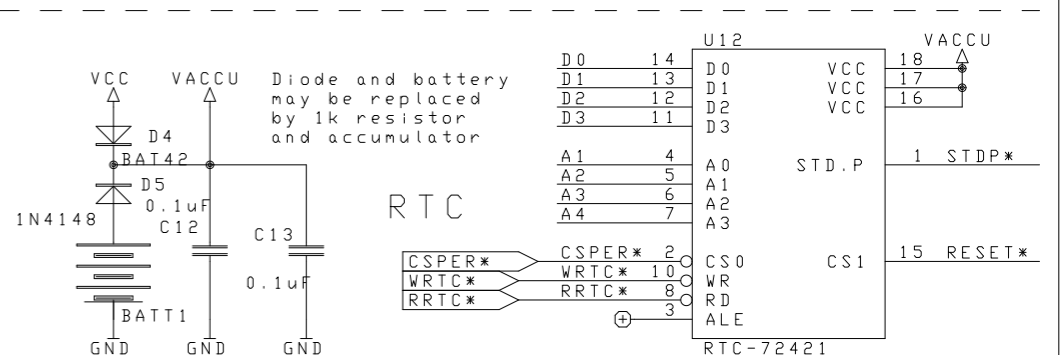


LAYOUT

High/Low are marked
Jumpers are marked

EPROM
EEPROM

Type	ROM31	ROM1	Capacity	ROM30
271000	PGM	VCC	256KB	---
272000	PGM	VCC	512KB	A18
274000	A19	VCC	1024KB	A18
278000	A19	A20	2048KB	A18
29F010	WE*	---	256KB	---
29F040	WE*	A19	1024KB	A18



MCT Paul & Scherer Mikrocomputertechnik GmbH

Title
E340 - Building Blocks

Size Document Number REV

Date: June 9, 1995 Sheet 2 of